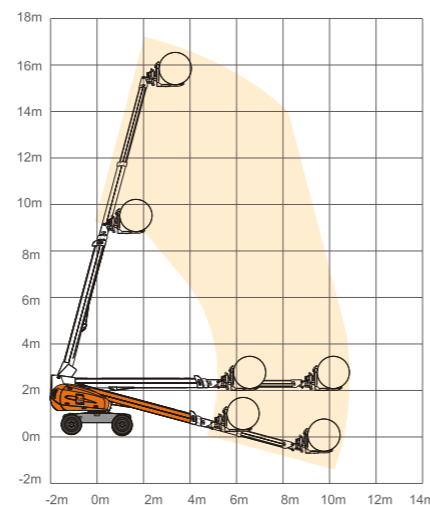
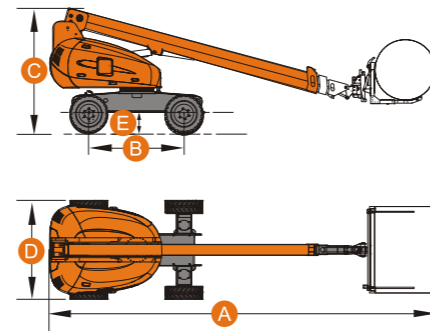


GTBZ16SD

Self-Propelled Telescopic Duct Lifts



S. W. L	230kg
Max. Lifting Height	16.50m
Max. Horizontal Reach	11.60m
Turntable Tailswing	0.86m
Under Ground Reach	0.50m
A Overall Length	8.61m
D Overall Width	2.28m
C Overall Height	2.55m
E Ground Clearance	0.36m
B Wheel Base	2.20m
Turning Radius(Inside/Outside)	2.85m/4.29m



Turret Rotation	360° continuous
Fork Vertical Rotation	360° continuous
Fork Horizontal Rotation	+/-90°



Engine	
Perkins 404D-22	35.7kw/2600rpm
Kubota V2403	35kw/2400rpm
Fuel	Diesel



Travel Speed(Stowed)	6.1km/h
Travel Speed(Working)	≤ 1.1km/h



Gradeability	40%
Maximum Slope	3°



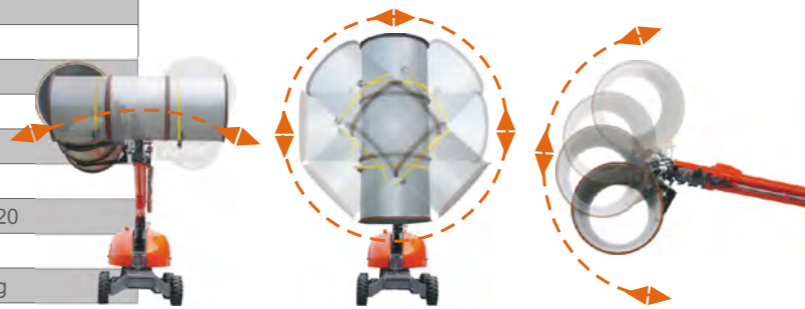
Hydraulic Tank	158L
Fuel Tank	85L



Tyre	33X12-20
------	----------



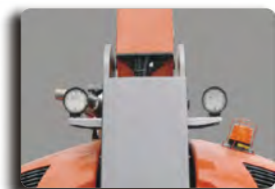
Gross Weight	7800kg
--------------	--------



Multifunction



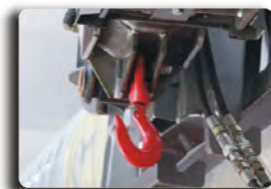
Transport Lock Pin



Platform Working Lights



Remote Controller



Lift Crane Hook

Standard Equipment

- Can Bus Technology
- Proportional Controls
- Safety Electric Pump
- Horn
- Hour Meter
- Tilt Sensor
- 4WD
- Self-leveling fork
- Anti-restart Engine Protection
- The Glow Plugs For Cold Starting
- Lift Crane Hook
- European III Emission Engine
- Hydraulic Oil Cooler
- 360° Continuous Turntable Rotation
- Solid Tyres

