

DIECI



DUMPERS

www.dieci.com

Dieci S.r.l. - Via E. Majorana, 2-4 - Montecchio Emilia (RE) ITALY
Tel. +39 0522 869611 - Fax +39 0522 869798 - E-mail: info@dieci.com



1000 F



1000 PA



1000 T



4200

DETAILS	1000 F	1000 PA	1000 T	1500 T	4200
Capacity (Kg)	2.500	2.500	2.500	3.700	8.500
Dump body capacity (level) (m ³)	1	1	1	1,5	4,2
Dump body capacity: (heaped) (m ³)	1,2	1,2	1,2	1,8	5,3
Total weight (empty) (Kg)	1.200	1.550	1.300	1.700	5.000
Hydraulic tipping	frontal	frontal	trilateral	frontal	frontal
Track (mm)	1.400	1.400	1.400	1.400	1.920
Tyres **	7,50 x 16"	7,50 x 16"	7,50 x 16"	10,00 x 15"	16/70-20"
Max speed (km/h) *	23	23	23	21	27
"CE" Marking	** = for construction site * = referred to wheels having the maximum allowable diameter				

ENGINE	1000 F - 1000 PA - 1000 T	4200
Model:	LOMBARDINI	Iveco NEF
Maximum power kW (hp):	15 (21,4)	93 (127)
Revolutions per minute (rpm):	3000	2200
Operation:	4 stroke diesel	4 stroke diesel
Injection:	Direct mechanical	Direct mechanical
Number and arrangement of cylinders:	4, vertical in line	4, vertical in line
Engine size (cm ³):	954	4485
	Natural Intake	Aftercooler Turbo compressor
	Air cooling system	Liquid cooling system

1000 F 1000 PA 1000 T 4200

TRANSMISSION

4-speed gear box with reversing gear
Single-plate dry clutch

DIFFERENTIAL AXLES

Differential axles: fixed
Brakes: hydraulic
Mechanical lever parking brake

DRIVER'S SEAT

Instruments: oil temperature light and battery charger
Hydraulic drive - adjustable seat

CHASSIS

Full floating; steering at the centre

ROOF

ROPS-FOPS approved

LOADING SHOVEL 1000 PA

Tipping with hydraulic control

TRANSMISSION

Variable delivery hydrostatic pump
Hydraulic engine with continuous automatic adjustment
Electro-hydraulic reversing gear, can be actuated with vehicle in motion
2-speed gear box, servo controlled

DIFFERENTIAL AXLES

Steering types: 4 wheels/transversal/2 wheels
Rear and front steering axles with planetary reduction gears.
Self-blocking front axle.
Hydraulic brake with oil-bath disks on 4 wheels.
Parking brake acting on rear axle

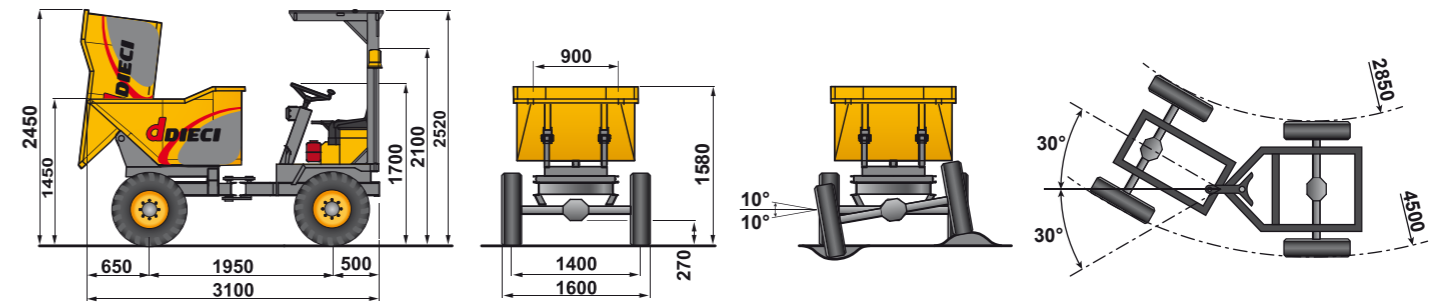
CAB

Reversible driver's seat
ROPS-FOPS approved
Rear and front glass - 2 windscreen wipers
Adjustable/reversible seat with seat belts
Instrument system: fuel level indicator - water and oil temperature light - battery charger

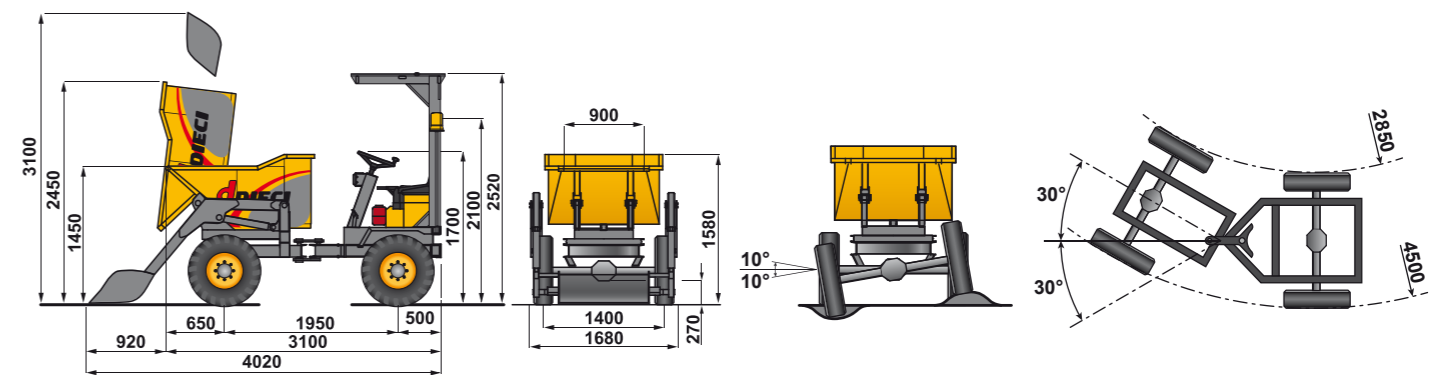
SAFETY DEVICES

Starting only with gear in neutral

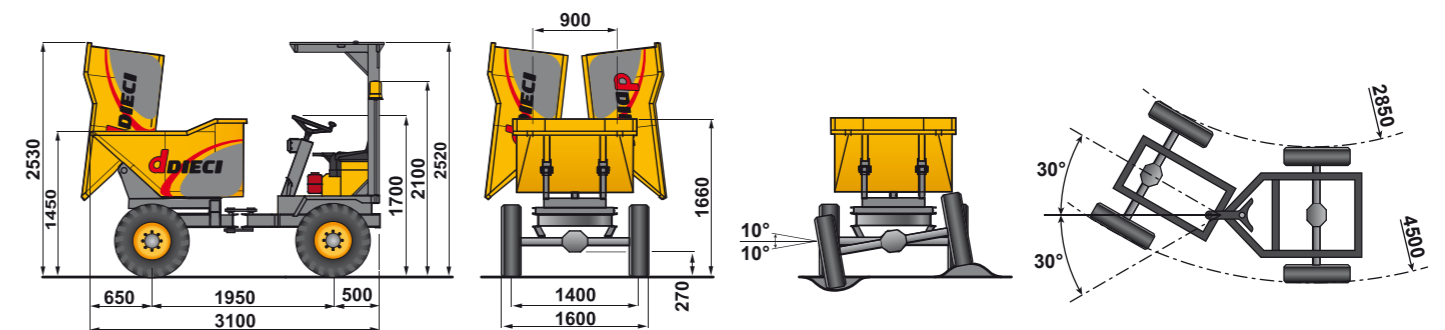
DIMENSIONS 1000 F



DIMENSIONS 1000 PA



DIMENSIONS 1000 T



DIMENSIONS 4200

